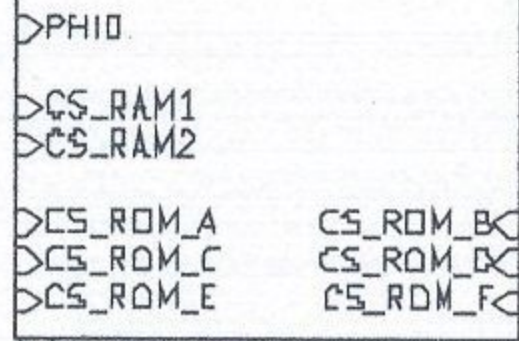


Sheet: DIN\_41612

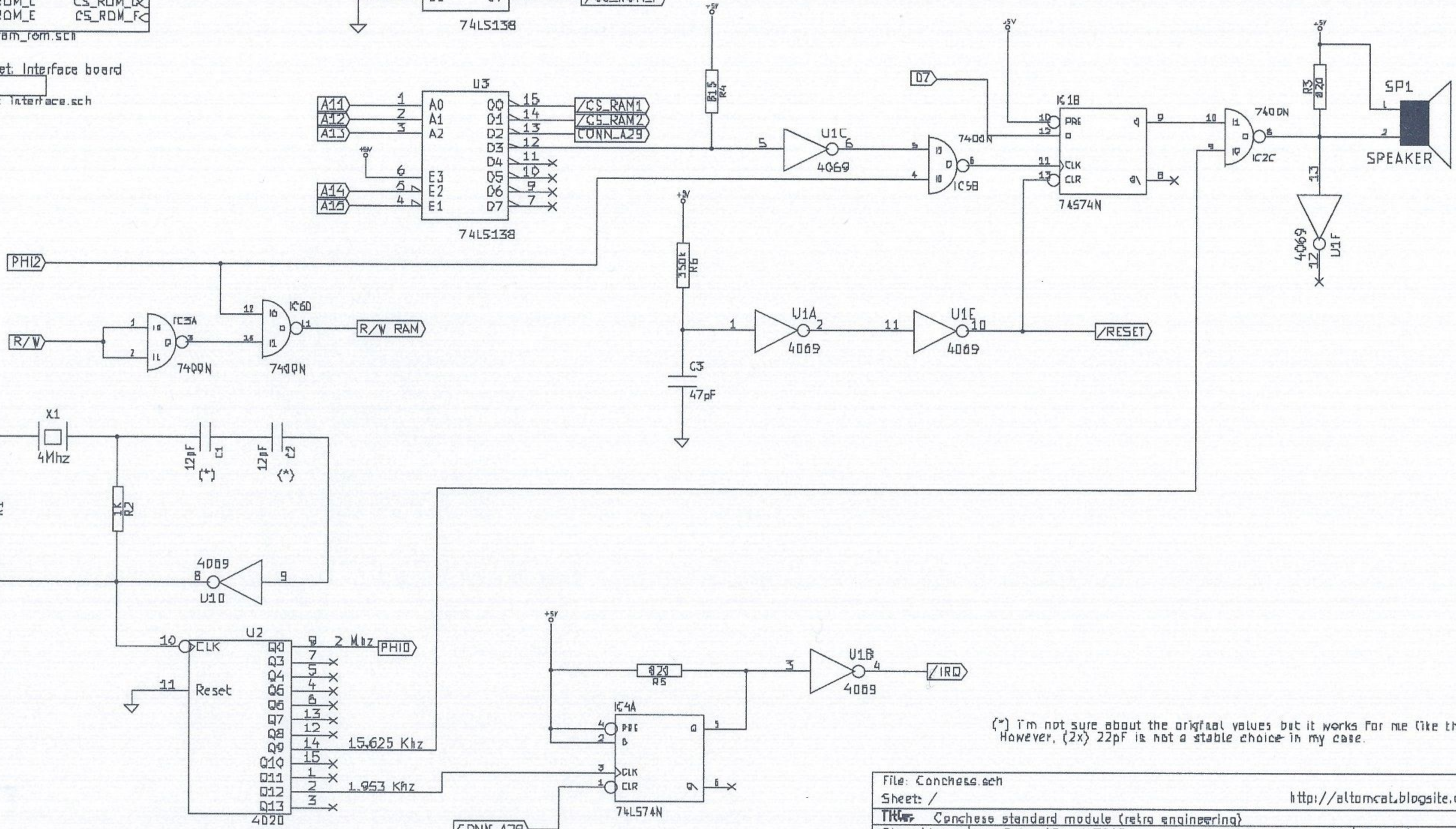
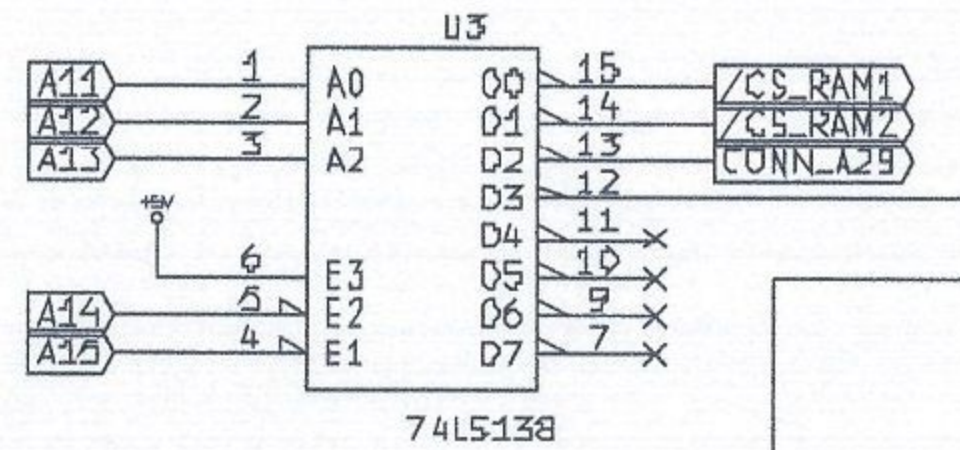
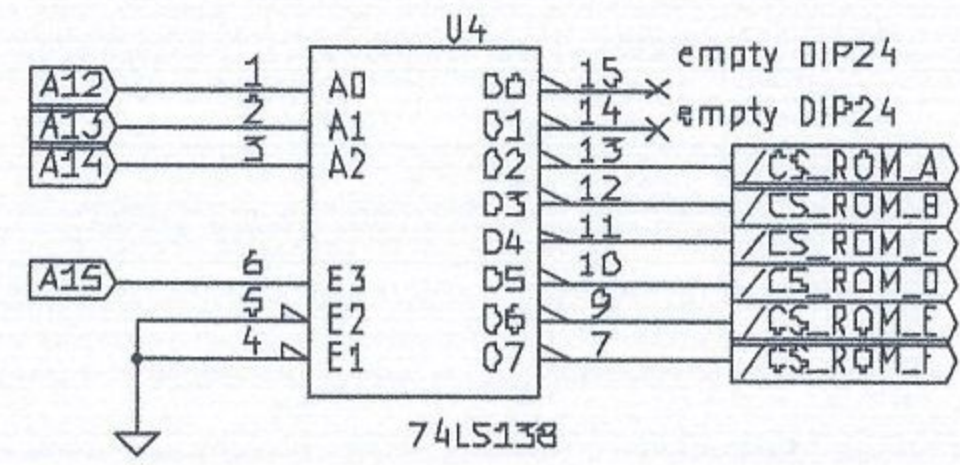
File: connecteur\_din\_41612.sch

Sheet: ram\_rom



Sheet: Interface board

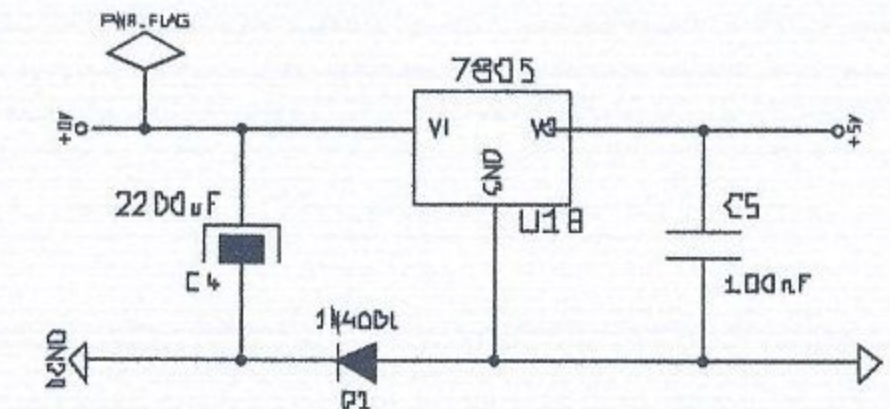
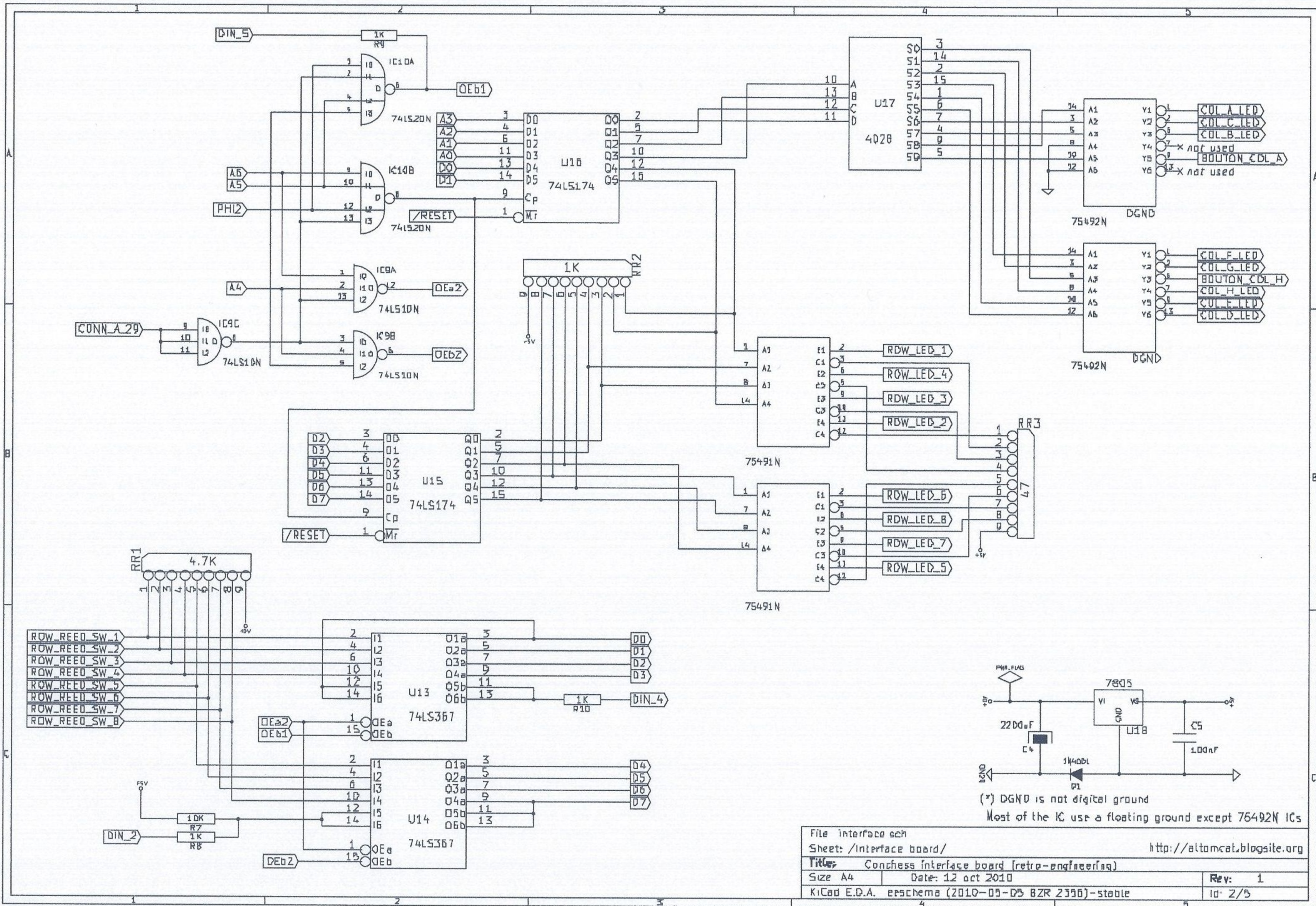
File: interface.sch



(\* ) i'm not sure about the original values but it works for me (like this). However, {2x} 22pF is not a stable choice in my case.

File: Conchess.sch		http://altomcat.blogspot.org	
Sheet: /			
Title: Conchess standard module (retro engineering)			
Size: A4	Date: 12 oct 2010	Rev: 1	
KiCad E.D.A. eschema (2010-05-05 BZR 2390)-stable			Id: 1/3

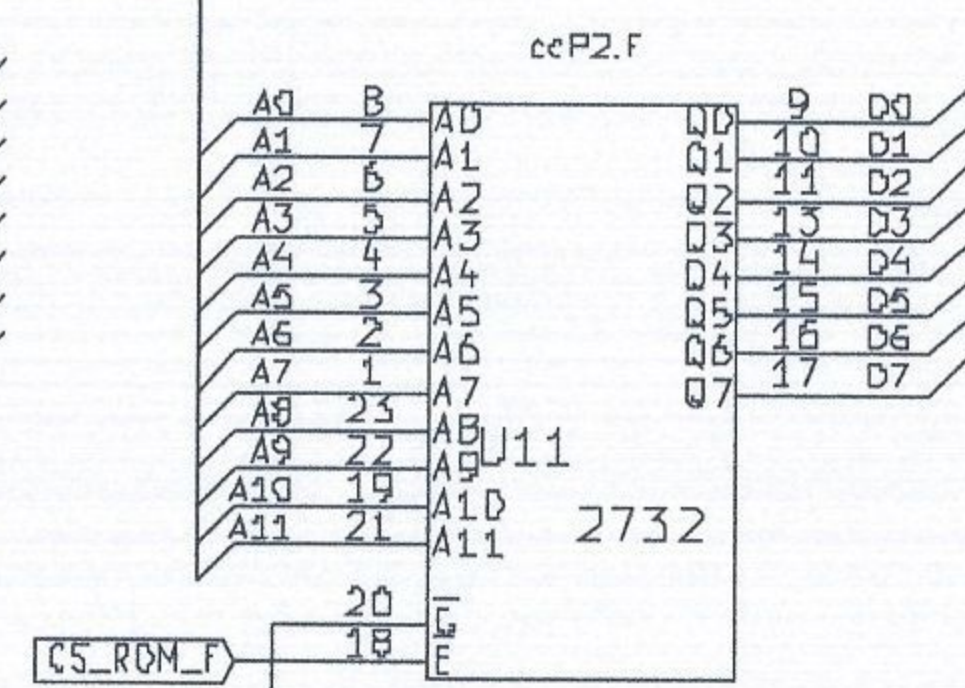
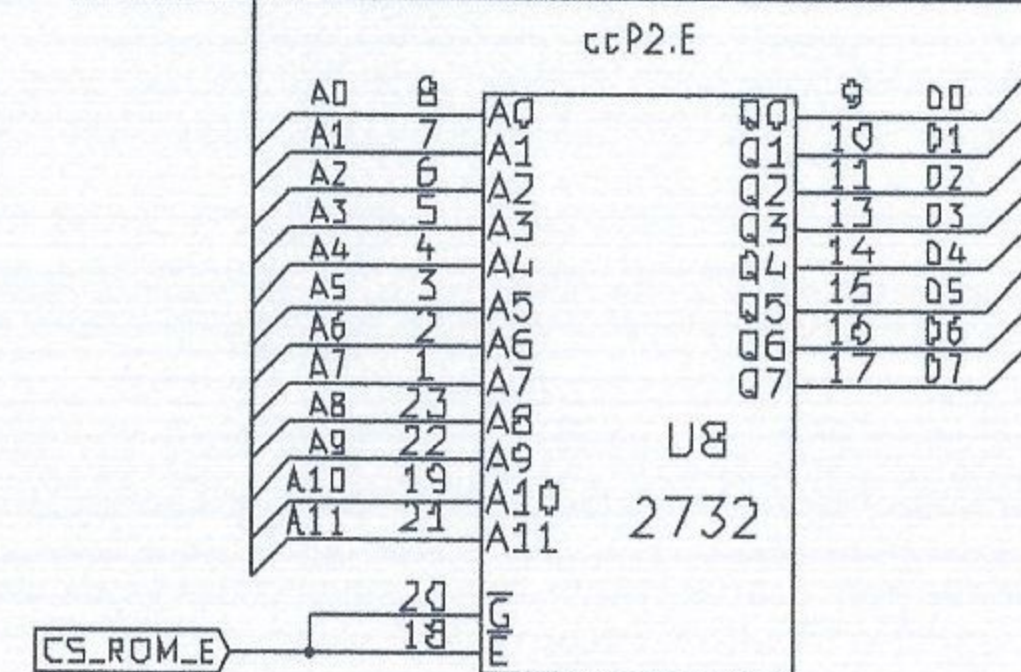
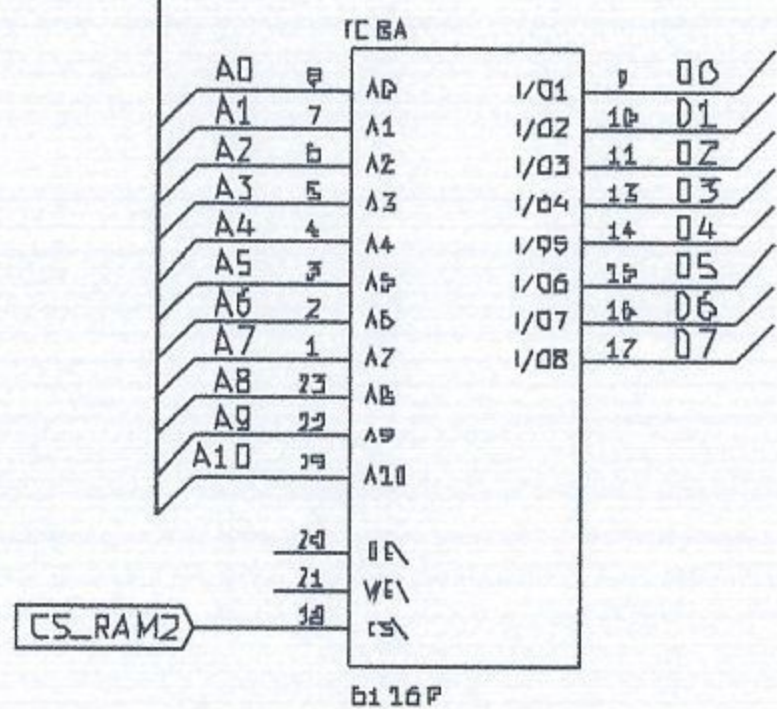
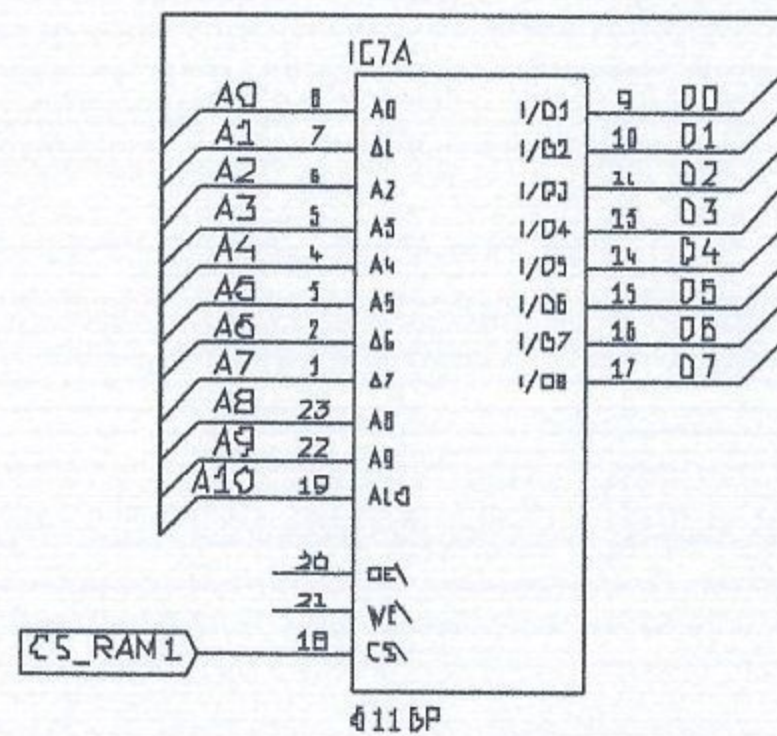
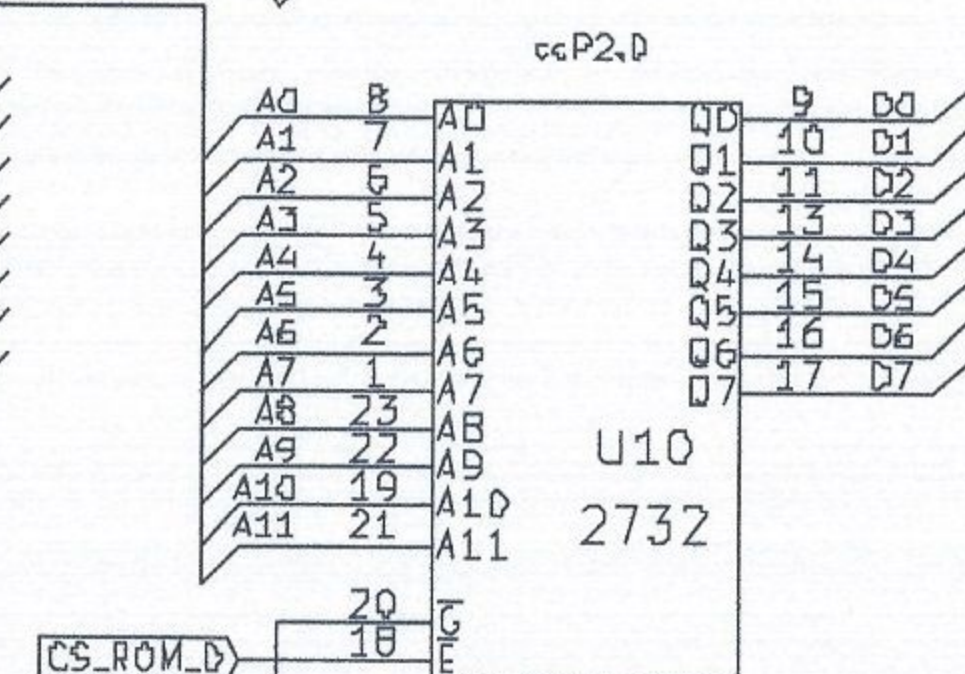
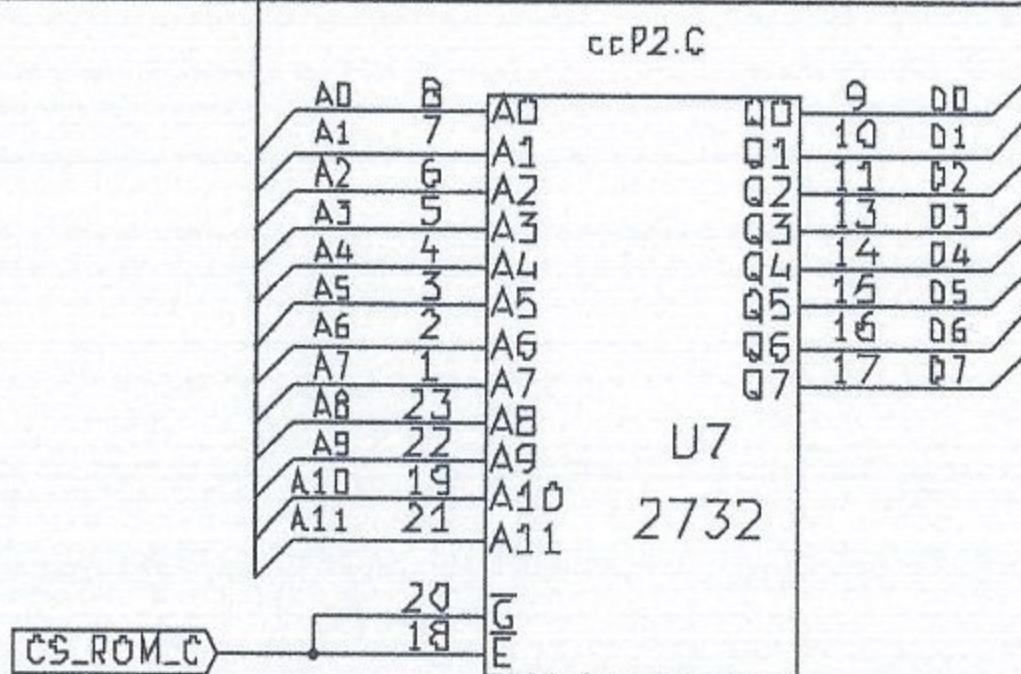
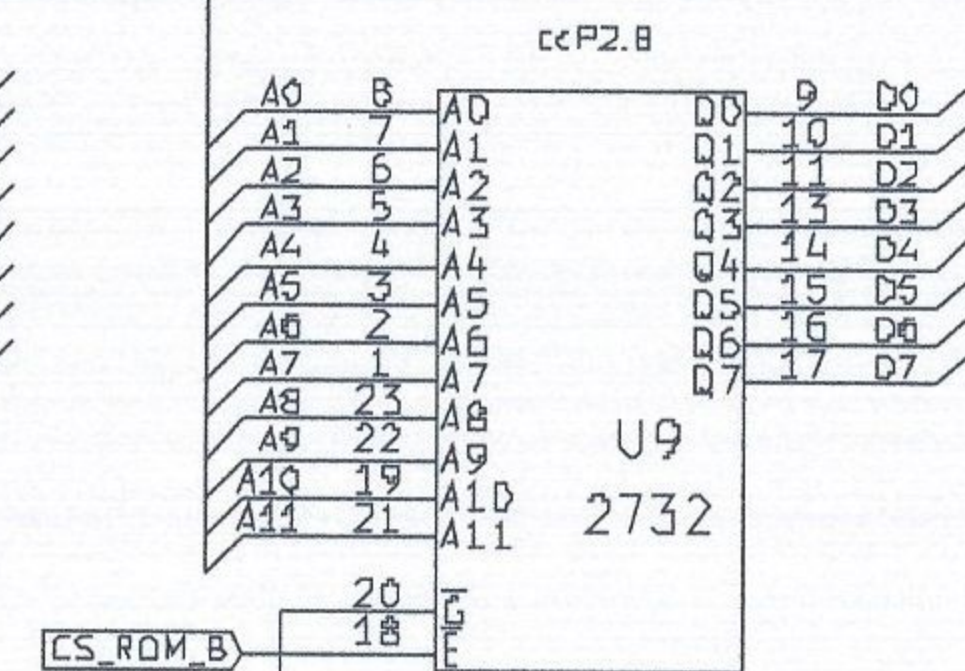
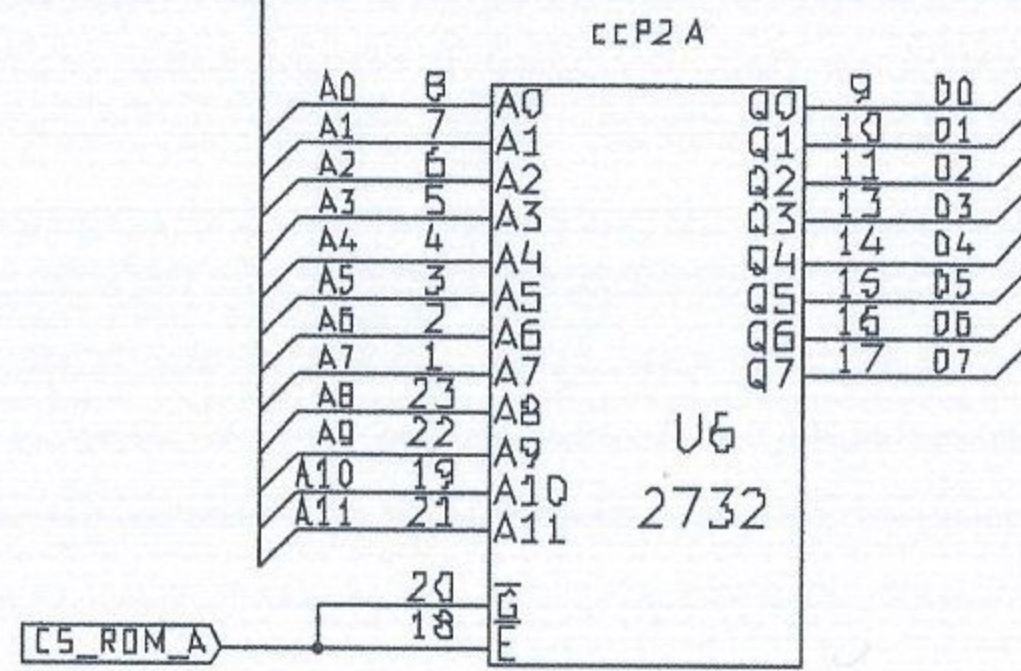
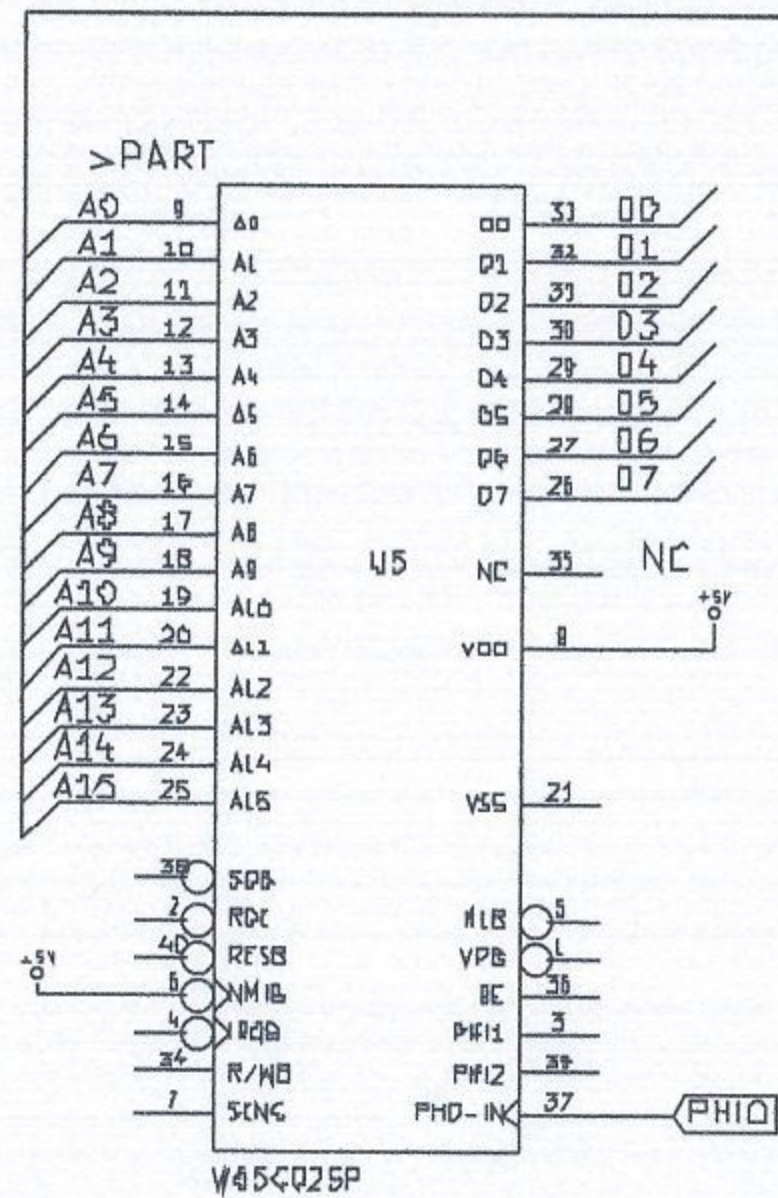




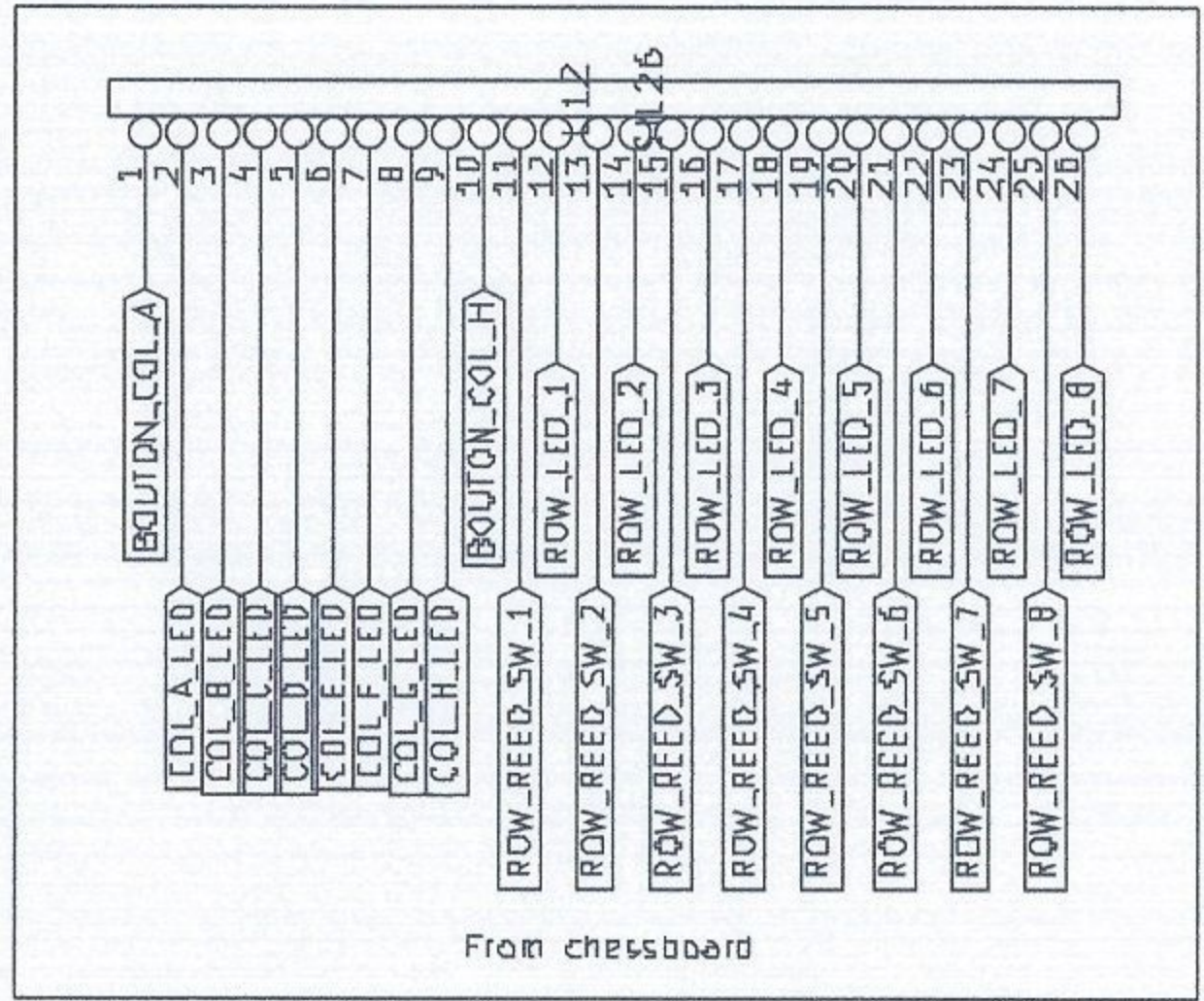
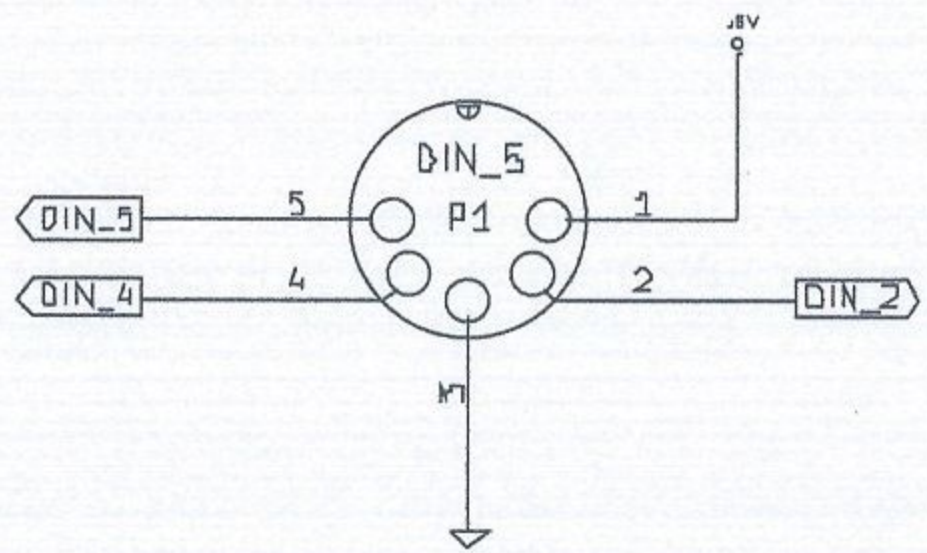
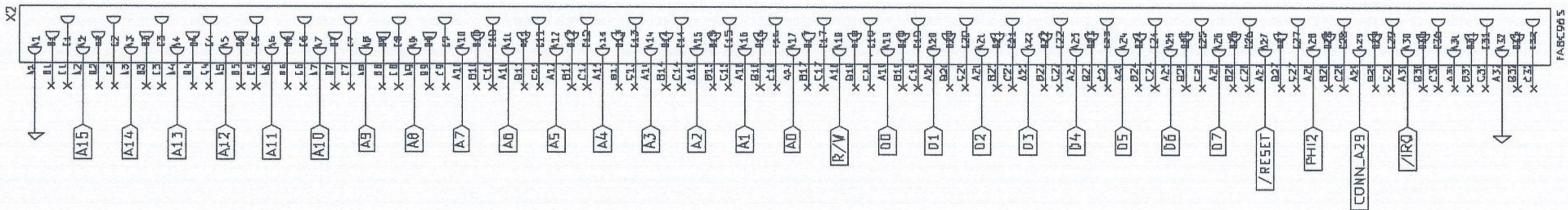
(\* DGND is not digital ground  
Most of the IC use a floating ground except 76492N ICs

File: interface.sch		http://altomcat.blogspot.org	
Sheet: /interface board/			
Title: Conchess interface board (retro-engineering)			
Size: A4	Date: 12 oct 2010	Rev: 1	
KiCad E.D.A. erschema (2010-05-05 BZR 2390)-stable			ID: 2/3



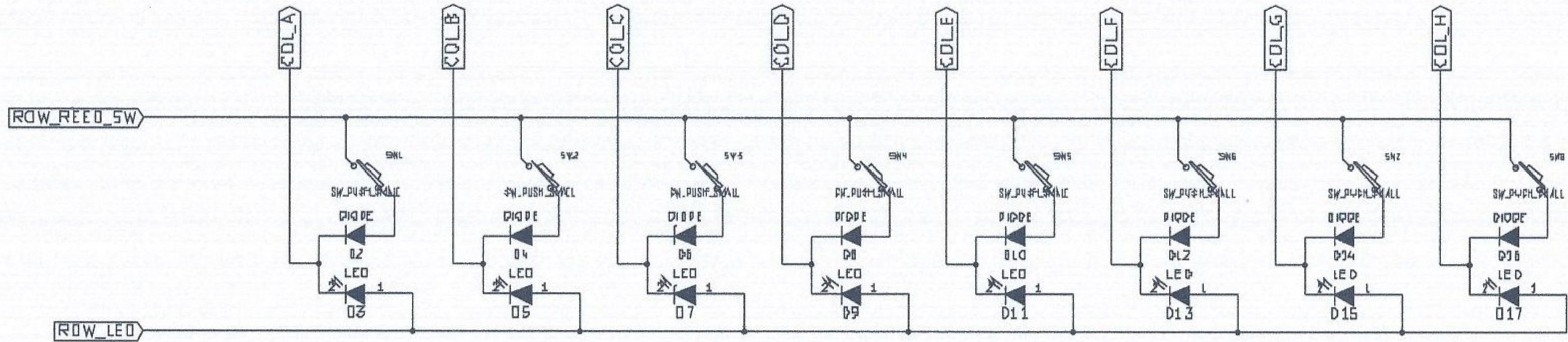






Sheet: chessboard  
 File: chessboard.sch





File chessboard.sch		<a href="http://altomcat.blogspot.com">http://altomcat.blogspot.com</a>	
Sheet: /DIN_41612/chessboard/			
Title: Chess chessboard matrix (retro-engineering - not completed)			
Size A4	Date: 12 oct 2010	Rev: 1	
KiCad E.D.A. eeschema (2010-05-05 BZR 2350)-stable			Id: 5/5